

Pad printing machine with automatic pad cleaning

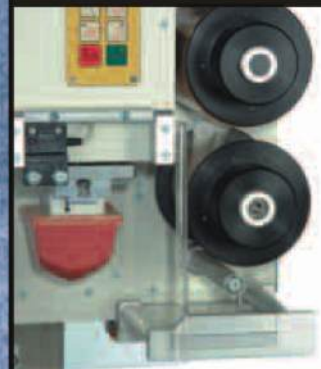
■ Precision engineered for superior quality printing



X-Y-R Plateadjustment



Viscomatic



Automatic padcleaning

- Easy set-up and change-over
- Fully integrated automatic pad cleaning
- Fully-automatic ink viscosity control (optional)
- Built with first class components for long life
- Worldwide Service and Support



microPrint
SWITZERLAND

Pad printing machine

with automatic pad cleaning

PAD PRINTING MACHINE
LCN 131

The LCN 131 is a compact and robust padprinting machine that has been fine-tuned for performance.

The LCN 131 is very reliable and simple to operate, and it works well as a stand-alone printer or is easily integrated into automated systems. In building all microPrint machines we use

only top quality world class components and our workmanship is unparalleled.

Worldwide service

All microPrint machines come complete with our worldwide customer service network and are backed with a **3 year** limited warranty.



Technical data

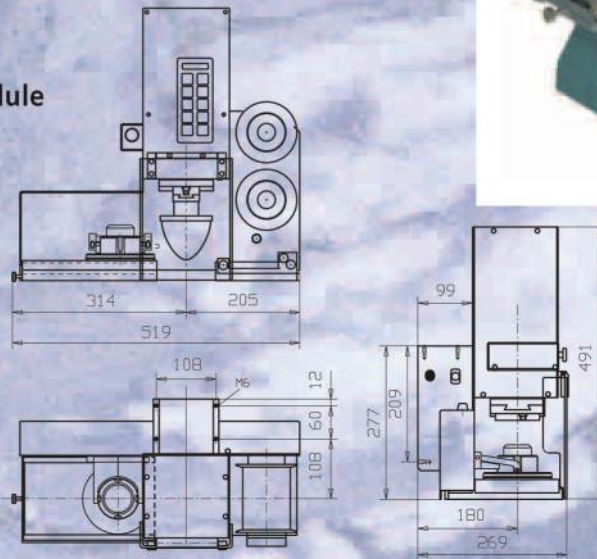
Printing capacity:	up to 2100/hr
Drive:	pneumatic
Printing force:	max. 450 N
Compressed air supply:	5–6 bar (87 psi)
Air consumption:	1,8 l/cycle
Control system:	PLC
Main voltage:	110 – 240 V 50–60Hz.
Control voltage:	24 VDC
Weight Modul:	31 kg.
Weight Stand:	20 kg.
Dimensions:	see illustration
Plate size:	130 x 100 mm 130 x 230 mm
Platethickness:	0.5 or 10 mm
Cup size Ø 86 mm:	Print Ø 76 mm
Cup size Ø 120 mm:	Print 70 x 110 mm

also available with open inkwell upon special request

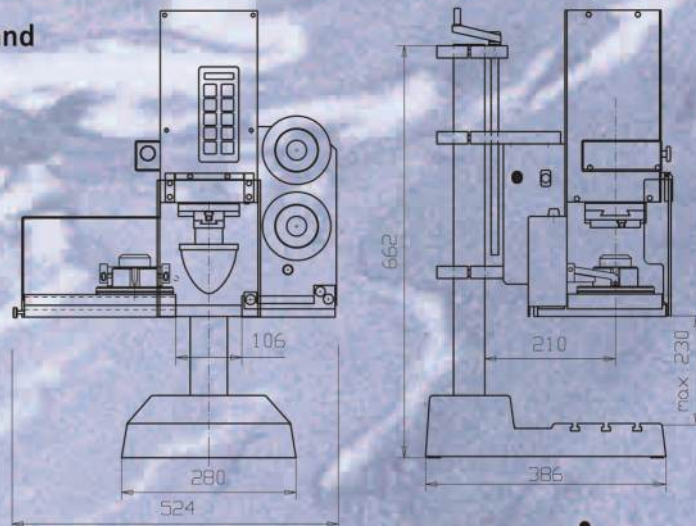
Info

We keep you informed with our home page <http://www.microprint.ch> about our newest developments. You will also find useful information about padprinting.

Module



Stand



microPrint
SWITZERLAND

microPrint LC GmbH
Mühlentalstrasse 184
CH-8200 Schaffhausen
Switzerland

Phone: + 41 (0) 52 624 50 59

Fax: + 41 (0) 52 624 50 22

E-mail: info@microprint.ch

<http://www.microprint.ch>